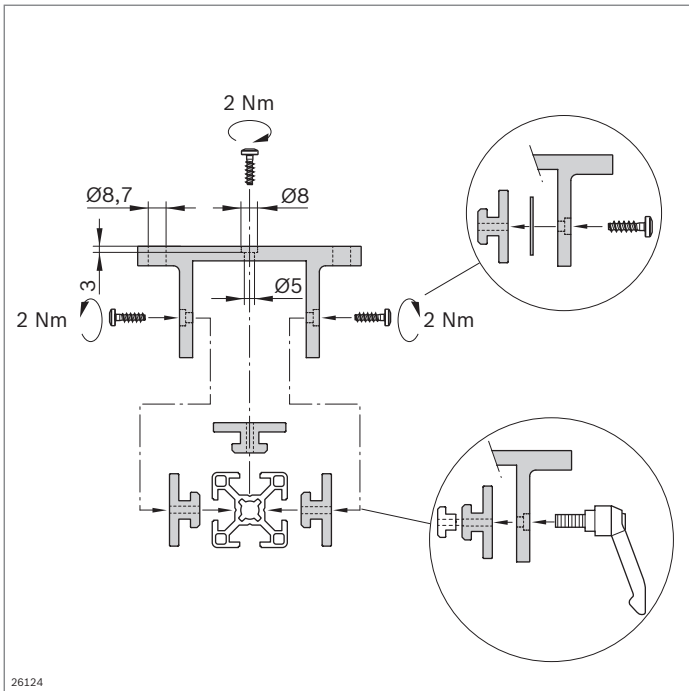


26784

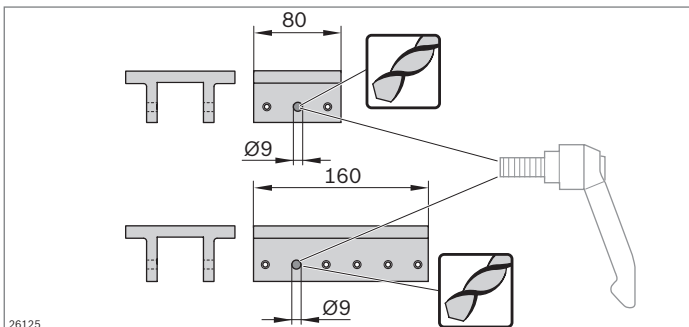
EcoSlide



- ▶ Economical linear sliding carriage for horizontal applications
- ▶ Runs on sliders for maximal load capacity
- ▶ Slider with low moisture absorption, suitable for rough application conditions
- ▶ Available for profile widths of 30/45/60/90
- ▶ Clamping lever (optional) for arresting in any position
- ▶ Easy to assemble
- ▶ Spacer washer for tolerance adjustment (carriage/profile)



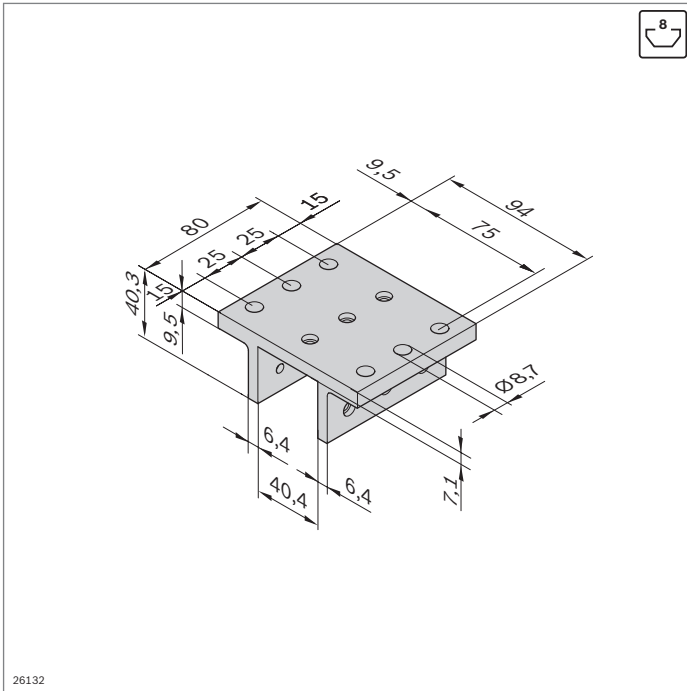
26124



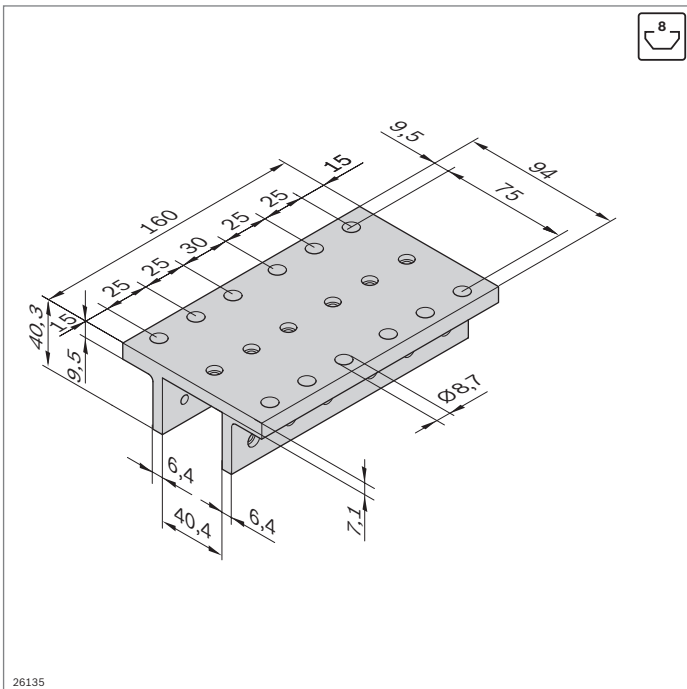
26125

Machining tip

To install the clamping lever, the corresponding 9 mm hole must be drilled in the trolley.



750 N	325 N	10 Nm	150 Nm



1500 N	750 N	20 Nm	200 Nm

EcoSlide 30x30x80

- ▶ For use with profile width 30 mm
- ▶ Maximum sliding speed: 12 m/min

Trolley 30x30x80	No.
	1 8 981 535 476

Material: Aluminum; anodized

Accessories

	No.		Pcs	Pcs	Page
Slider, slot 8 mm flat	10 3 842 523 212		3	2	12-13
Slider, groove 8 mm flat lockable	1 3 842 552 423		—	1	12-11
Spacer washer Slot 8 mm	4 8 981 535 891		X ¹⁾	X ¹⁾	12-11
Screw W1451 - 3.5x14 - 10.9	10 3 842 552 421		9	8	12-12
Clamping lever, 20 mm	1 3 842 516 846		—	1	4-13
Sliding block Slot 8 mm; M8	100 3 842 514 931		—	1	3-7

¹⁾ If required

EcoSlide 30x30x160

- ▶ For use with profile width 30 mm
- ▶ Maximum sliding speed: 12 m/min

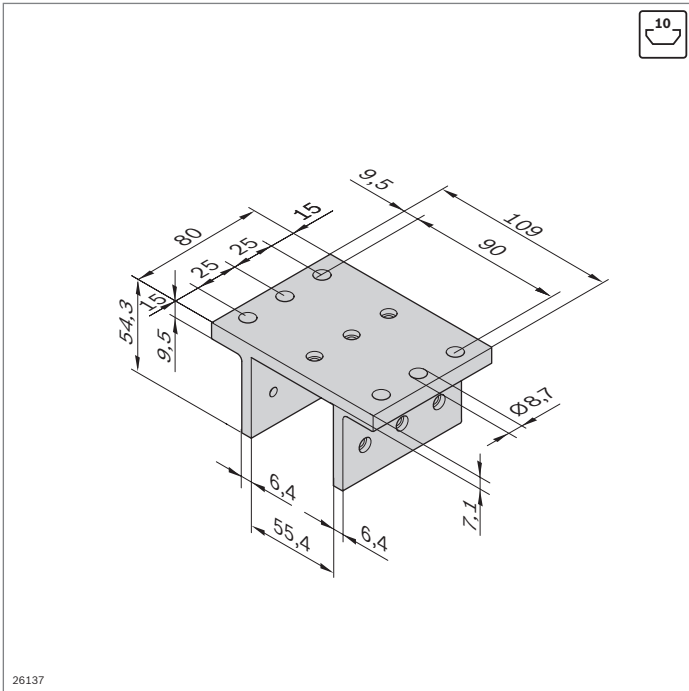
Trolley 30x30x160	No.
	1 8 981 535 477

Material: Aluminum; anodized

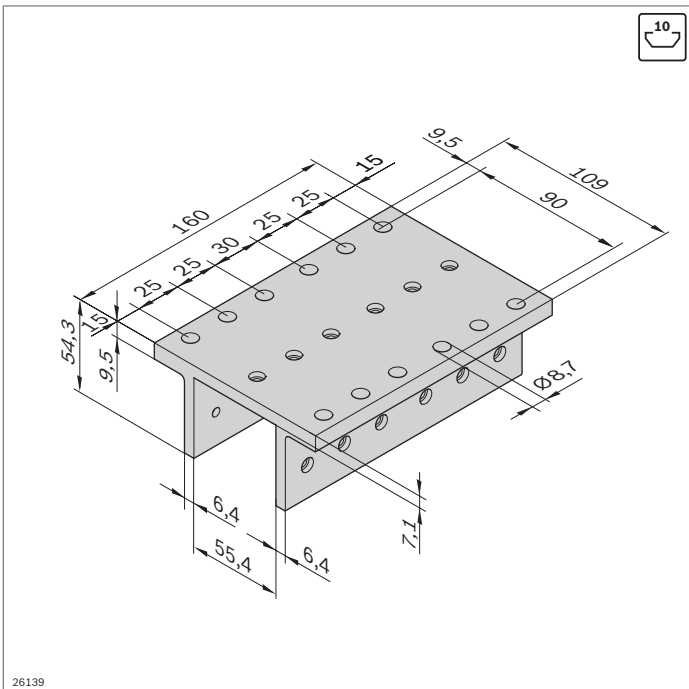
Accessories

	No.		Pcs	Pcs	Page
Slider, slot 8 mm flat	10 3 842 523 212		6	5	12-13
Slider, slot 8 mm flat lockable	1 3 842 552 423		—	1	12-11
Spacer washer Slot 8 mm	4 8 981 535 891		X ¹⁾	X ¹⁾	12-11
Screw W1451 - 3.5x14 - 10.9	10 3 842 552 421		18	17	12-12
Clamping lever, 20 mm	1 3 842 516 846		—	1	4-13
Sliding block Slot 8 mm; M8	100 3 842 514 931		—	1	3-7

¹⁾ If required



1250 N	625 N	40 Nm	150 Nm



2500 N	1250 N	80 Nm	200 Nm

EcoSlide 45x45x80

- ▶ For use with profile width 45 mm
- ▶ Maximum sliding speed: 12 m/min

Trolley 45x45x80	No.
	1 8 981 535 323

Material: Aluminum; anodized

Accessories

No.		Pcs		Page
10	3 842 530 329	3	2	12-13
1	3 842 552 424	—	1	12-11
4	8 981 535 890	X ¹⁾	X ¹⁾	12-12
10	3 842 552 422	9	8	12-12
1	3 842 516 846	—	1	4-13
100	3 842 528 735	—	1	3-7

¹⁾ If required

EcoSlide 45x45x160

- ▶ For use with profile width 45 mm
- ▶ Maximum sliding speed: 12 m/min

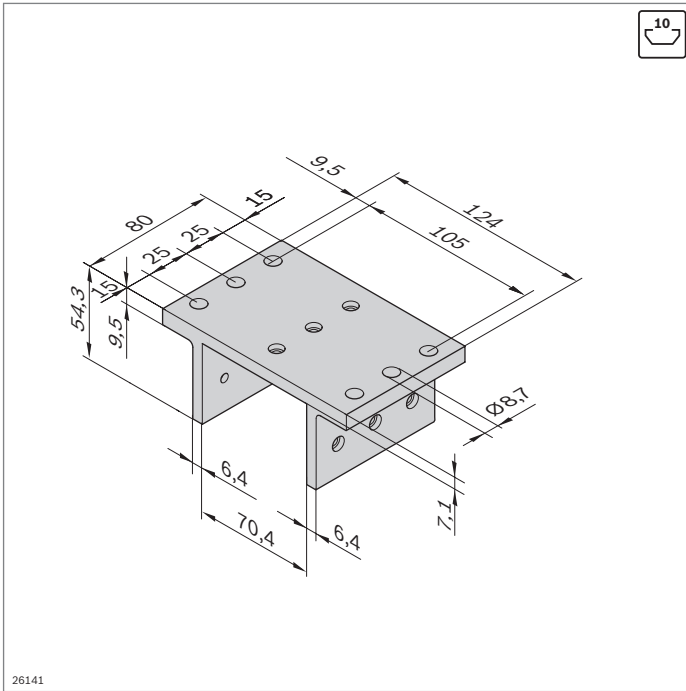
Trolley 45x45x160	No.
	1 8 981 535 324

Material: Aluminum; anodized

Accessories

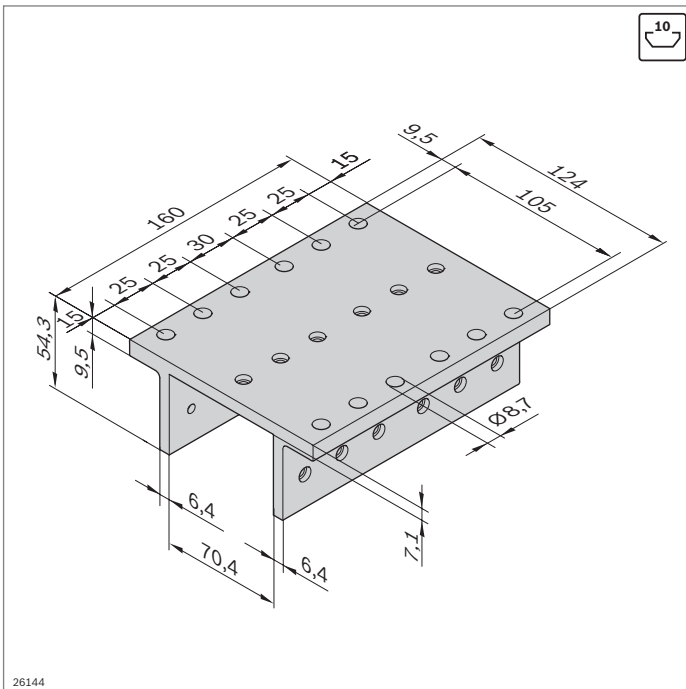
No.		Pcs		Page
10	3 842 530 329	6	5	12-13
1	3 842 552 424	—	1	12-11
4	8 981 535 890	X ¹⁾	X ¹⁾	12-12
10	3 842 552 422	18	17	12-12
1	3 842 516 846	—	1	4-13
100	3 842 528 735	—	1	3-7

¹⁾ If required



26141

F_{max}	F_{max}	M_{max}	M_{max}
1250 N	625 N	40 Nm	150 Nm



26144

F_{max}	F_{max}	M_{max}	M_{max}
2500 N	1250 N	80 Nm	200 Nm

EcoSlide 45x60x80

- ▶ For use with profile width 60 mm
- ▶ Maximum sliding speed: 12 m/min

Trolley 45x60x80	No.
	1 8 981 535 478

Material: Aluminum; anodized

Accessories

	No.		Pcs	Pcs	Page
Slider, slot 10 mm flat	10	3 842 530 329	3	2	12-13
Slider, slot 10 mm flat lockable	1	3 842 552 424	–	1	12-11
Spacer washer Slot 10 mm	4	8 981 535 890	X ¹⁾	X ¹⁾	12-12
Screw W1452 - 4x18 - 10.9	10	3 842 552 422	9	8	12-12
Clamping lever, 20 mm	1	3 842 516 846	–	1	4-13
Sliding block Slot 10 mm, M8	100	3 842 528 735	–	1	3-7

¹⁾ If required

EcoSlide 45x60x160

- ▶ For use with profile width 60 mm
- ▶ Maximum sliding speed: 12 m/min

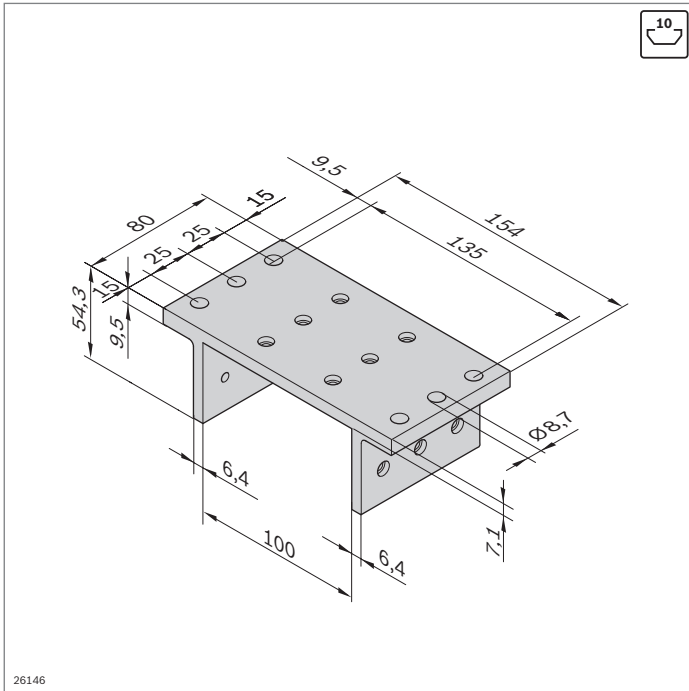
Trolley 45x60x160	No.
	1 8 981 535 479

Material: Aluminum; anodized

Accessories

	No.		Pcs	Pcs	Page
Slider, slot 10 mm flat	10	3 842 530 329	6	5	12-13
Slider, slot 10 mm flat lockable	1	3 842 552 424	–	1	12-11
Spacer washer Slot 10 mm	4	8 981 535 890	X ¹⁾	X ¹⁾	12-12
Screw W1452 - 4x18 - 10.9	10	3 842 552 422	18	17	12-12
Clamping lever, 20 mm	1	3 842 516 846	–	1	4-13
Sliding block Slot 10 mm, M8	100	3 842 528 735	–	1	3-7

¹⁾ If required



EcoSlide 45x90x80

- ▶ For use with profile width 90 mm
- ▶ Maximum sliding speed: 12 m/min

Trolley 45x90x80	No.
	1 8 981 535 325

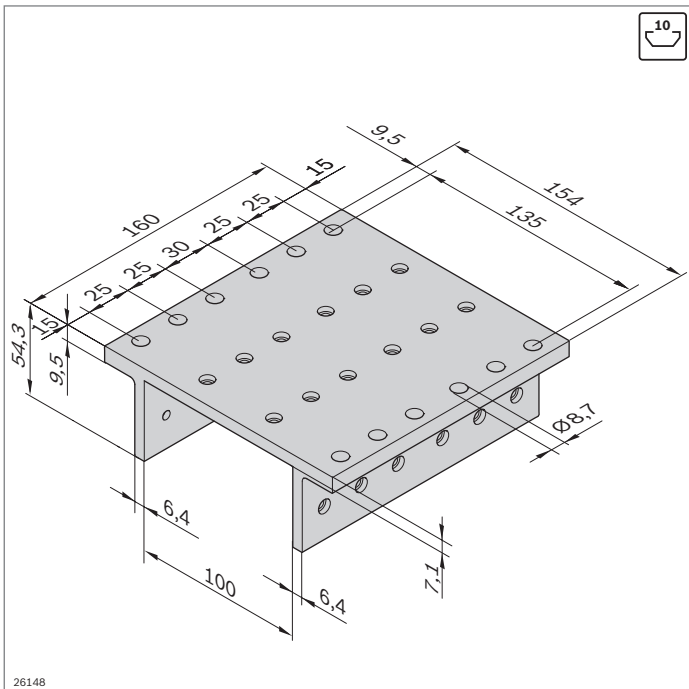
Material: Aluminum; anodized

Accessories

	No.	Pcs		Page
Slider, slot 10 mm flat	10 3 842 530 329	4	3	12-13
Slider, slot 10 mm flat lockable	1 3 842 552 424	—	1	12-11
Spacer washer Slot 10 mm	4 8 981 535 890	X ¹⁾	X ¹⁾	12-12
Screw W1452 - 4x18 - 10.9	10 3 842 552 422	12	11	12-12
Clamping lever, 20 mm	1 3 842 516 846	—	1	4-13
Sliding block Slot 10 mm, M8	100 3 842 528 735	—	1	3-7

¹⁾ If required

2500 N	1250 N	50 Nm	150 Nm



EcoSlide 45x90x160

- ▶ For use with profile width 90 mm
- ▶ Maximum sliding speed: 12 m/min

Trolley 45x90x160	No.
	1 8 981 535 326

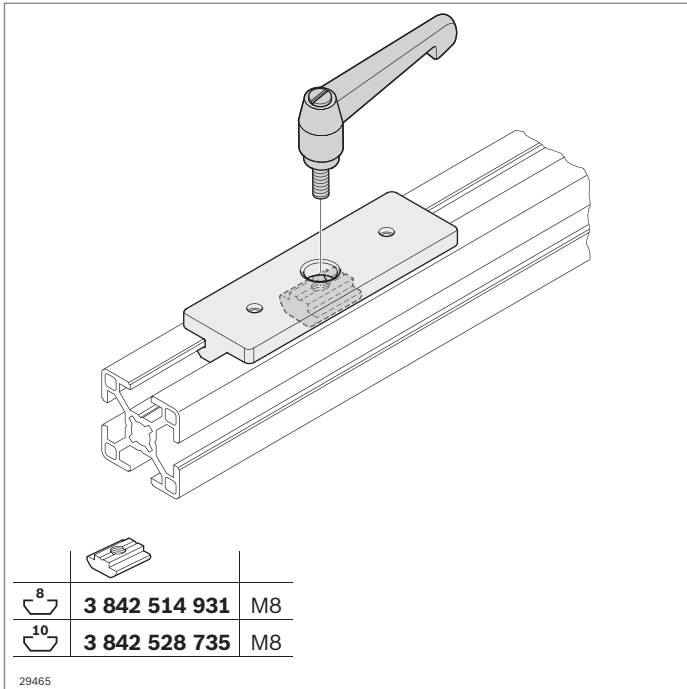
Material: Aluminum; anodized

Accessories

	No.	Pcs		Page
Slider, slot 10 mm flat	10 3 842 530 329	8	7	12-13
Slider, slot 10 mm flat lockable	1 3 842 552 424	—	1	12-11
Spacer washer Slot 10 mm	4 8 981 535 890	X ¹⁾	X ¹⁾	12-12
Screw W1452 - 4x18 - 10.9	10 3 842 552 422	24	23	12-12
Clamping lever, 20 mm	1 3 842 516 846	—	1	4-13
Sliding block Slot 10 mm, M8	100 3 842 528 735	—	1	3-7

¹⁾ If required

5000 N	2500 N	100 Nm	200 Nm



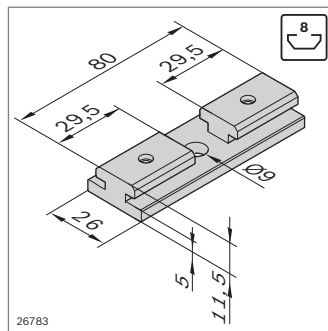
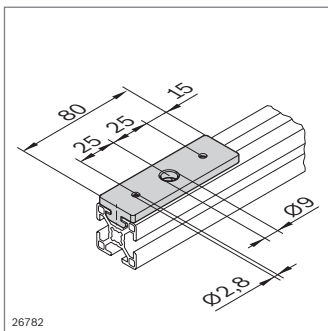
Slider, flat lockable



- ▶ Suitable for clamping using a sliding block and a clamping lever
- ▶ For constructing low-wear guides

Accessories:

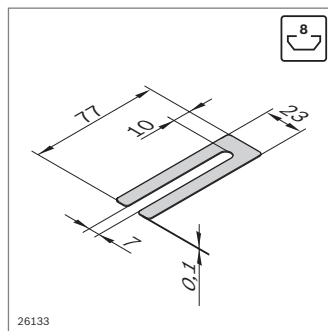
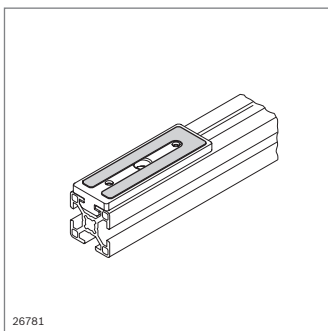
- ▶ Sliding blocks (p. 3-7)
- ▶ Clamping lever (p. 4-13)



Slider, flat lockable	Slot		No.
	8	1	3 842 552 423

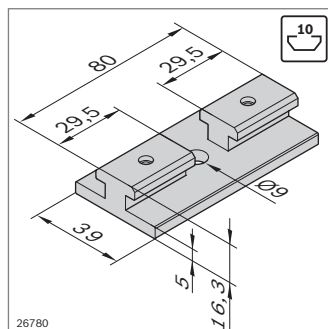
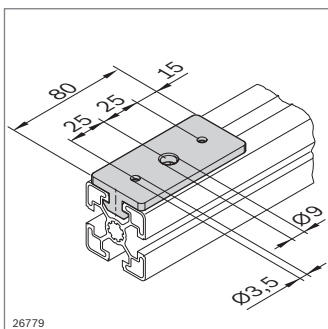
Material: POM; natural

Accessories: Sliding block, T-nut, slot 8 (M8), 3 842 514 931, p. 3-7



Spacer washer	Slot		No.
77x23	8	4	8 981 535 891

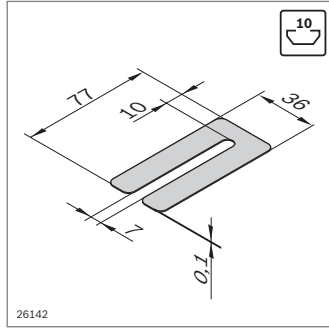
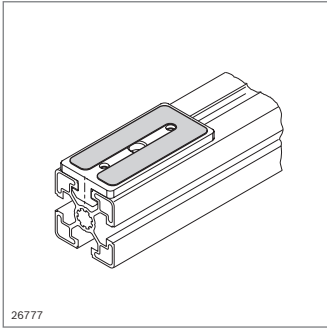
Material: Steel; plain




Slider, flat lockable	Slot		No.
	10	1	3 842 552 424

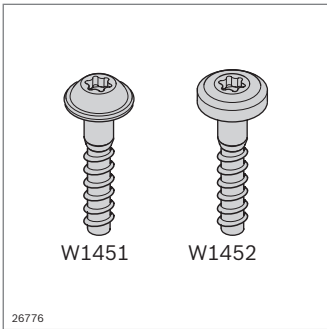
Material: POM; natural


Accessories: Sliding block, T-nut, slot 10 (M8), 3 842 528 735, p. 3-7



Spacer washer	Slot		No.
77x36	10	4	8 981 535 890

Material: Steel; plain



Plastic self-tapping screw	Slot		No.
W1451 - 3.5x14 - 10.9	8	10	3 842 552 421
W1452 - 4x18 - 10.9	10	10	3 842 552 422

Material: Steel; galvanized